

Singer 31-15

Form 19319
(539)

PRINTED IN U. S. A.

Levy

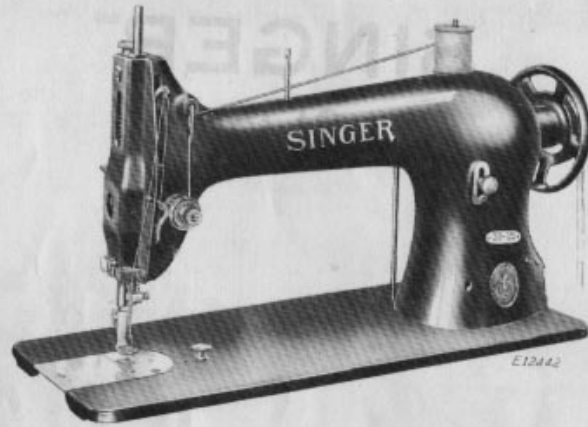
SINGER**

31-15

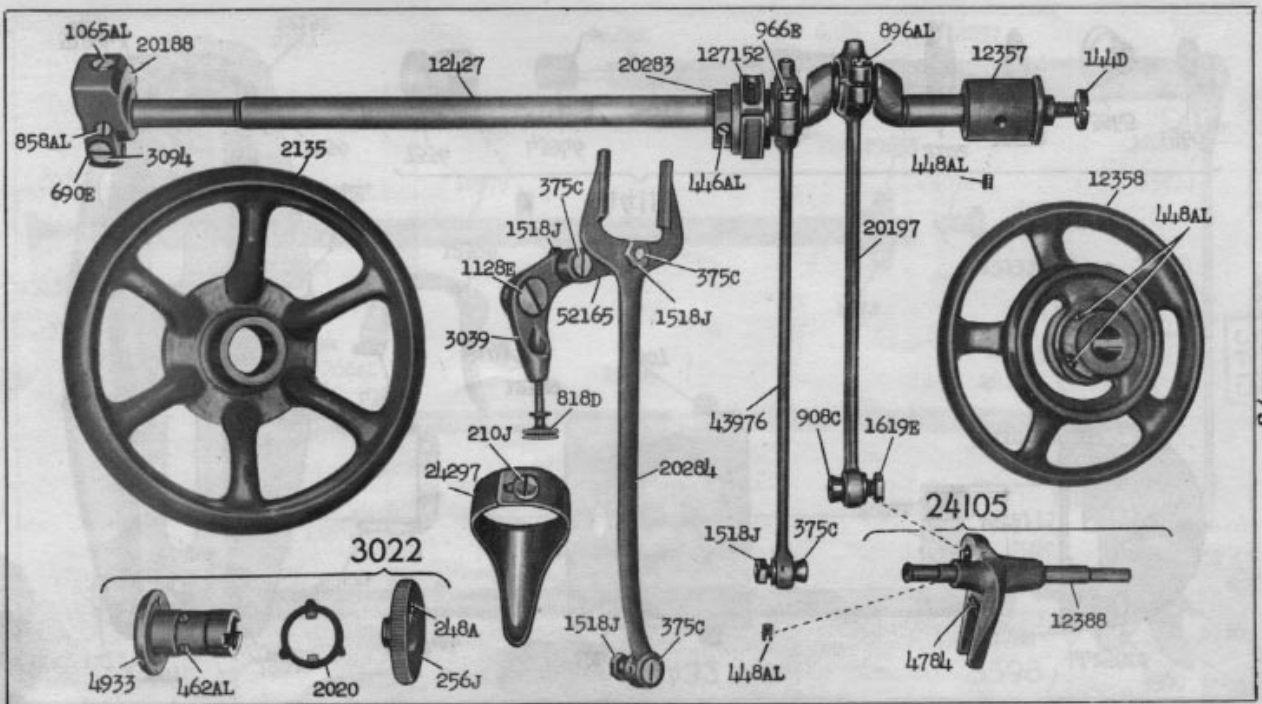
** A TRADE-MARK OF

THE SINGER COMPANY

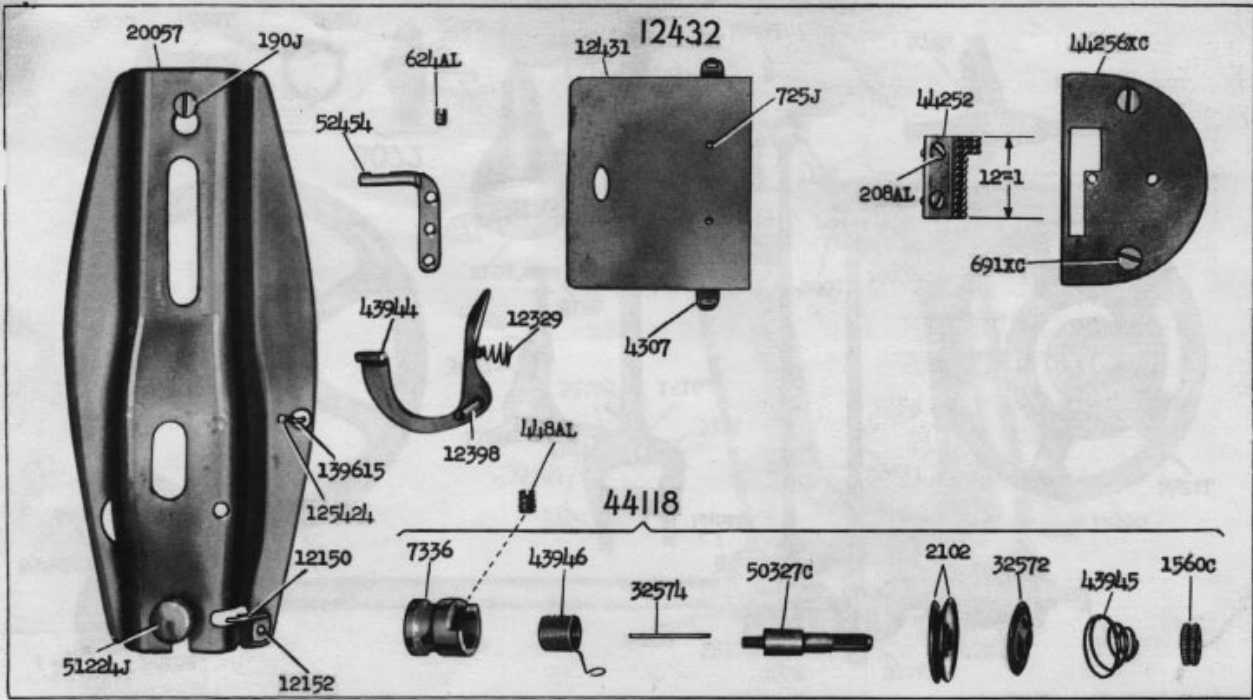
From the library of: Diamond Needle Corp



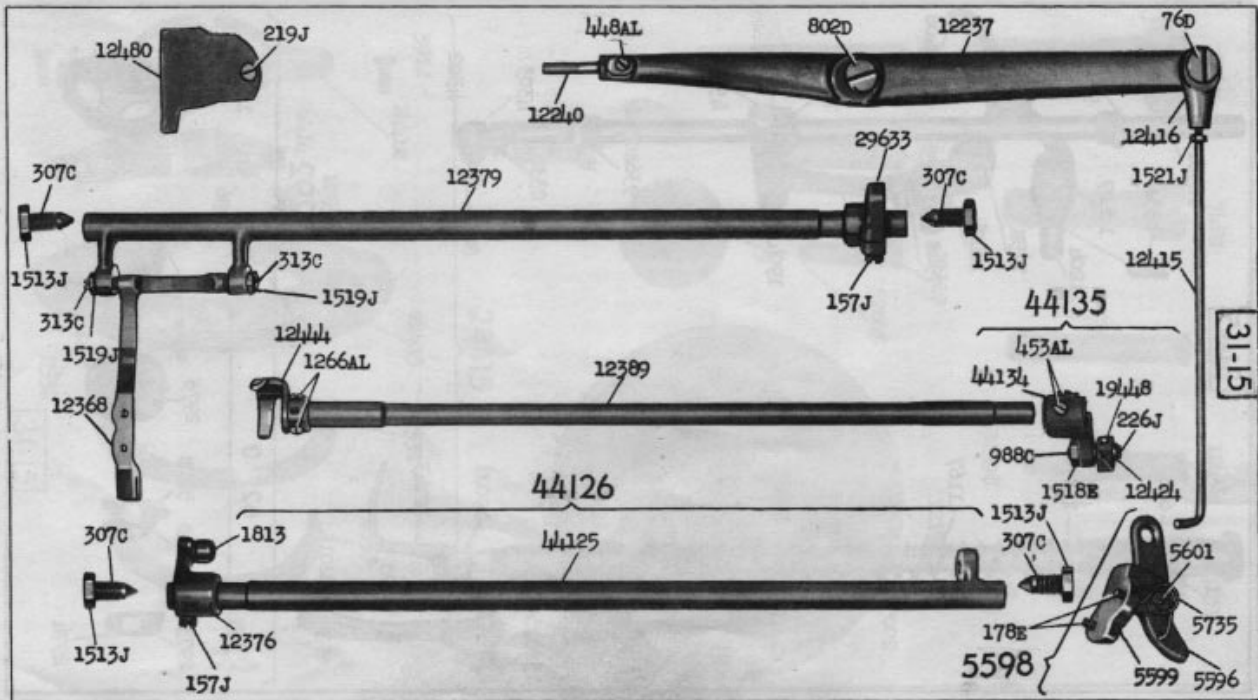
Copyright, U. S. A., 1936 and 1939
by The Singer Company
All Rights Reserved for all Countries



22303 - 1/3



22304 - 1/2

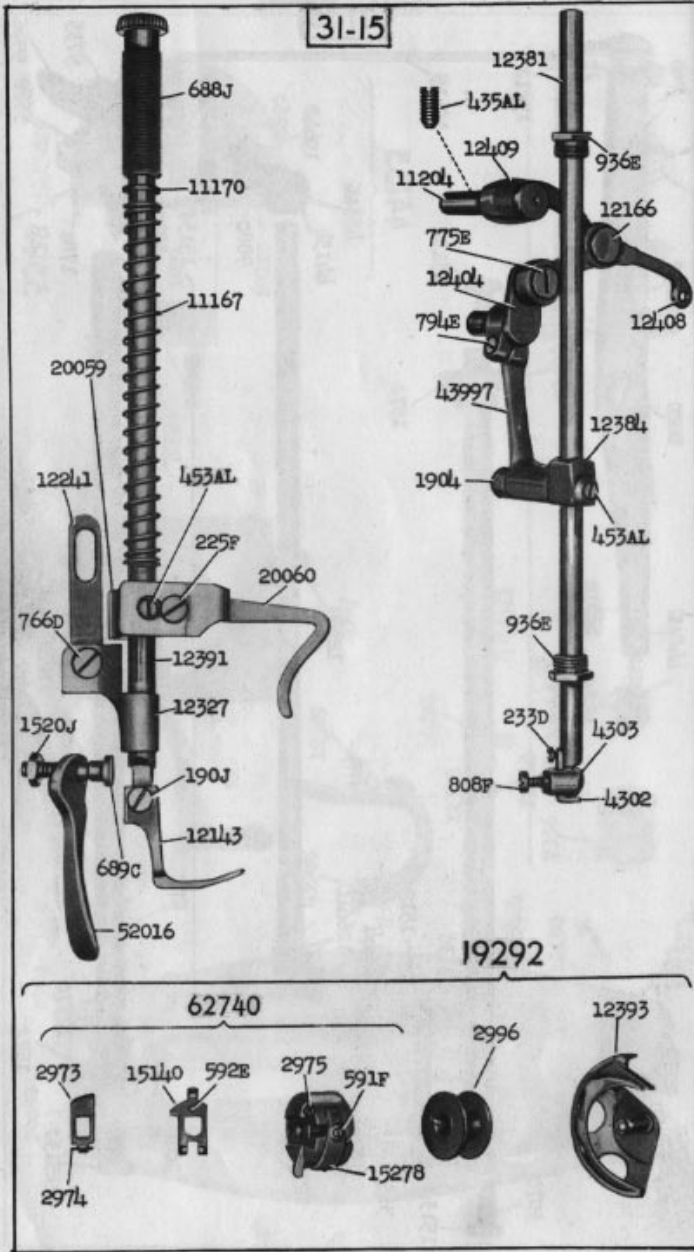


31-15

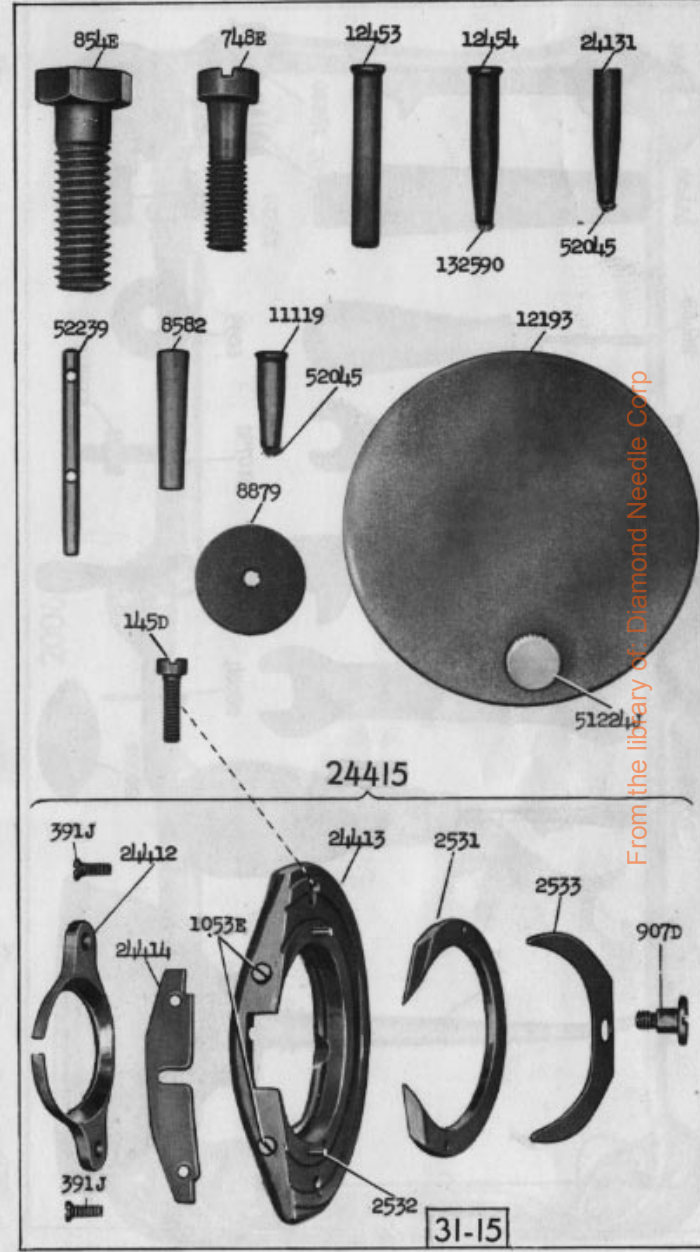
22305 - 1/3

22306 - 1/2

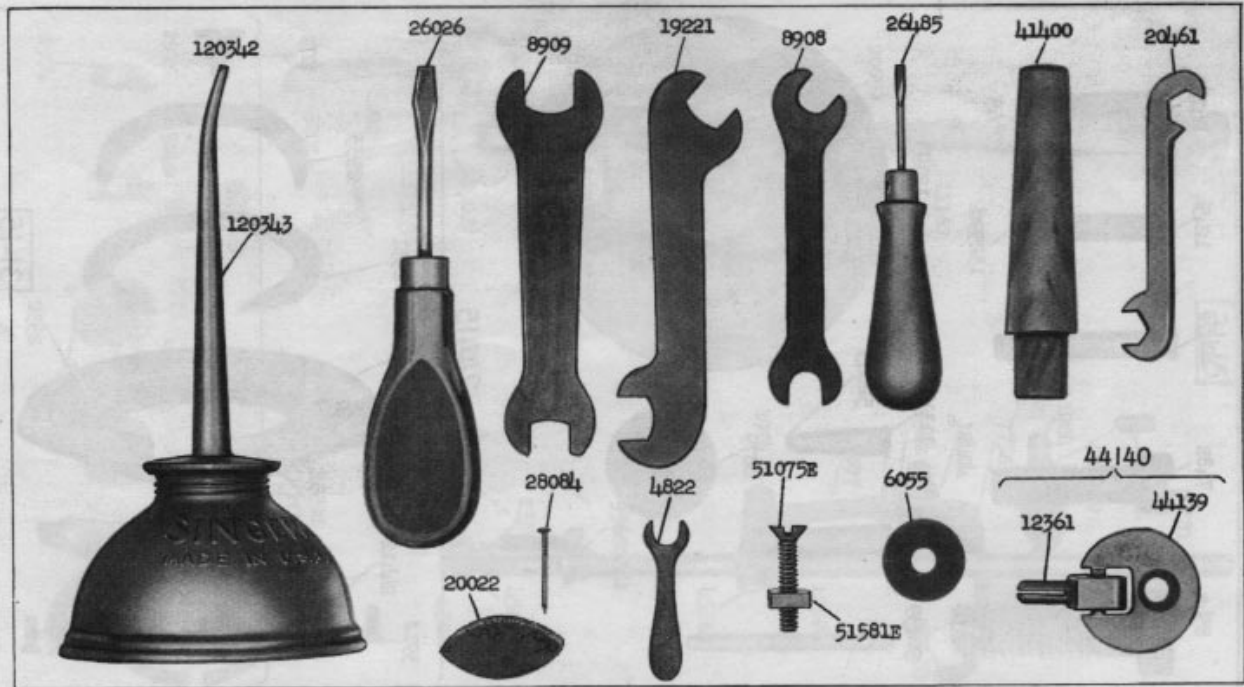
31-15



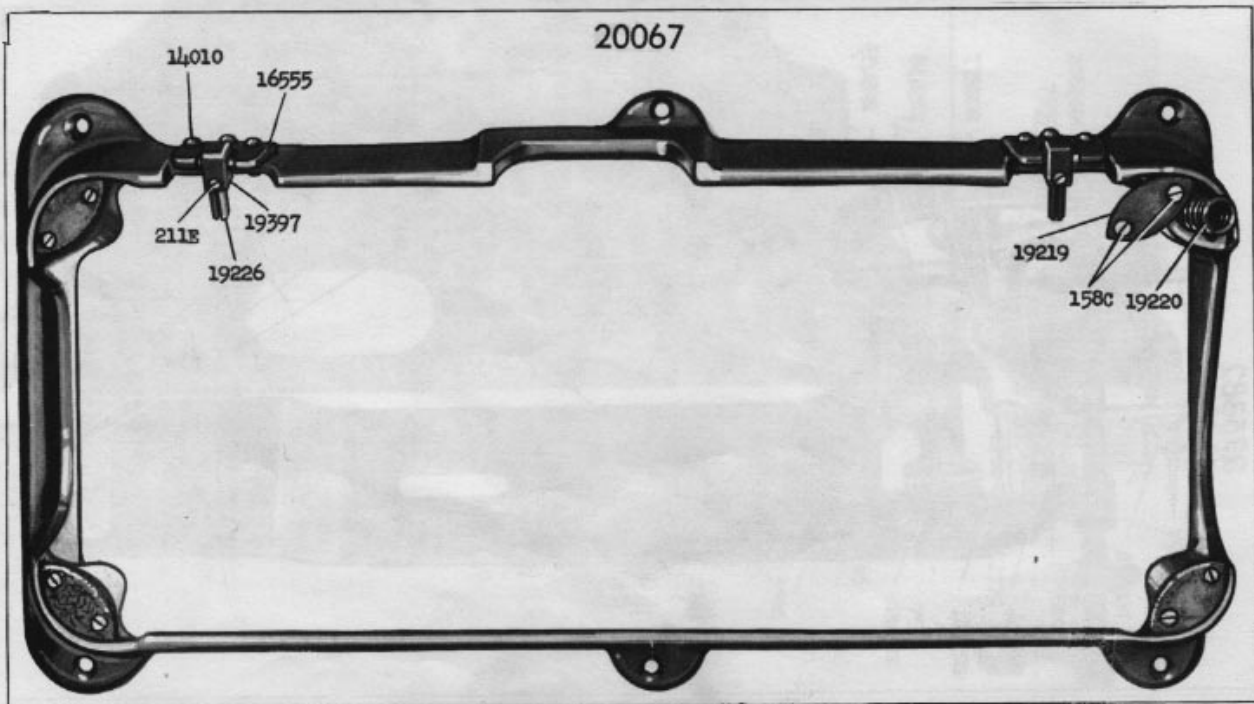
22307 - 2/3



From the library of Diamond Needle Corp

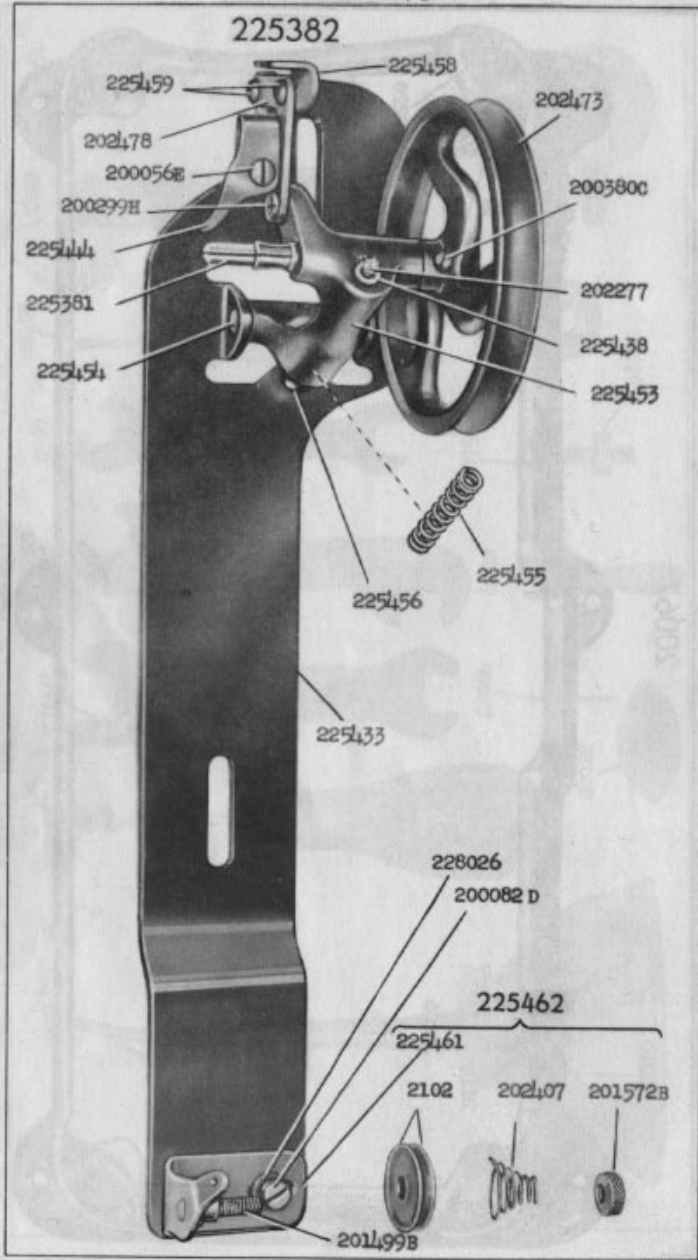


22308 - 1/2

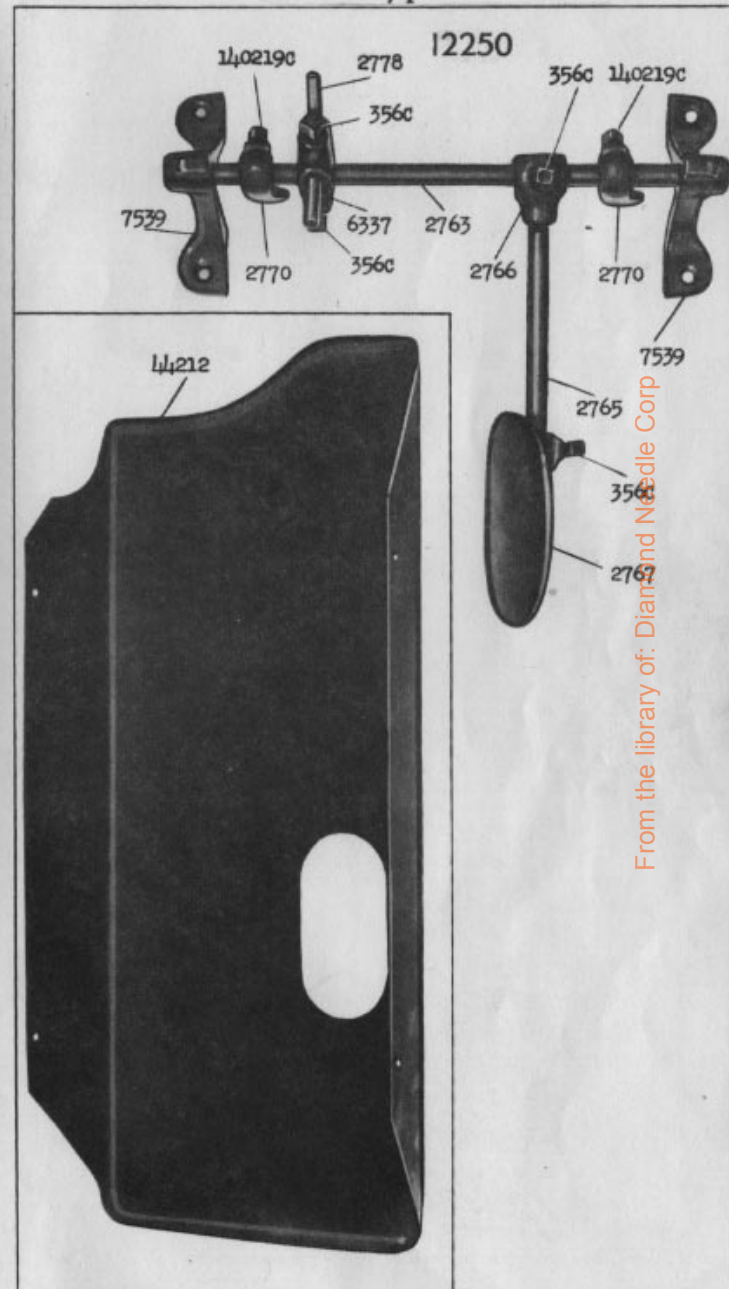


22309 - 1/3

22908 - 2/3



22910 - 1/4



From the library of: Diamond Needle Corp